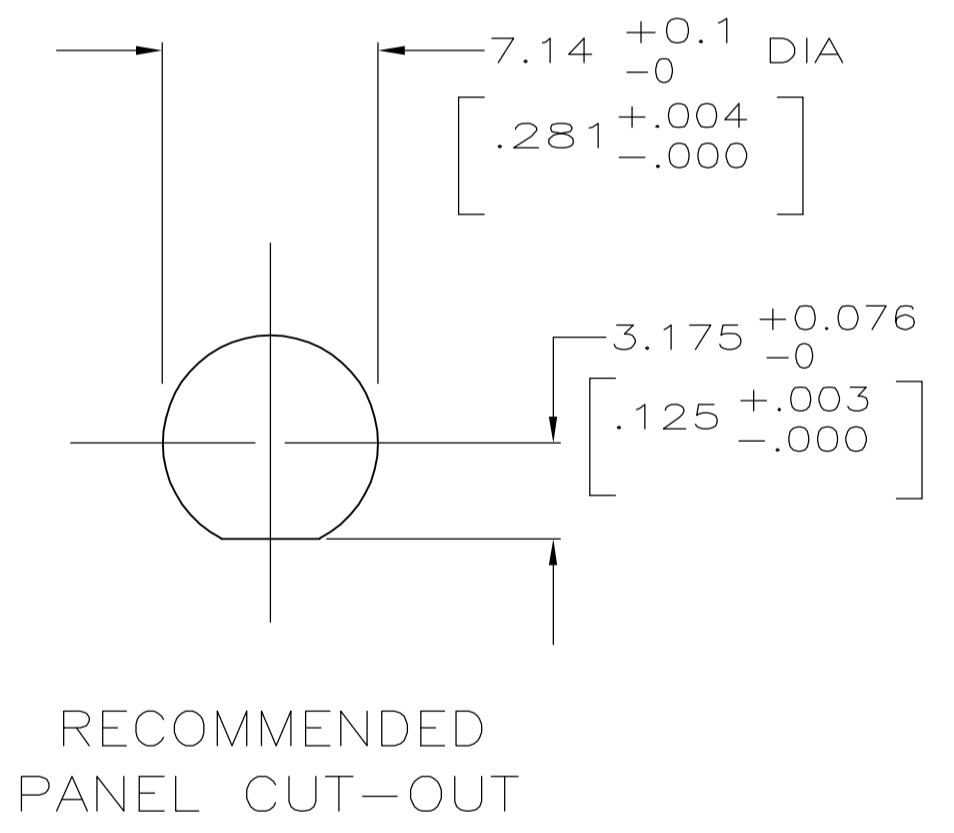
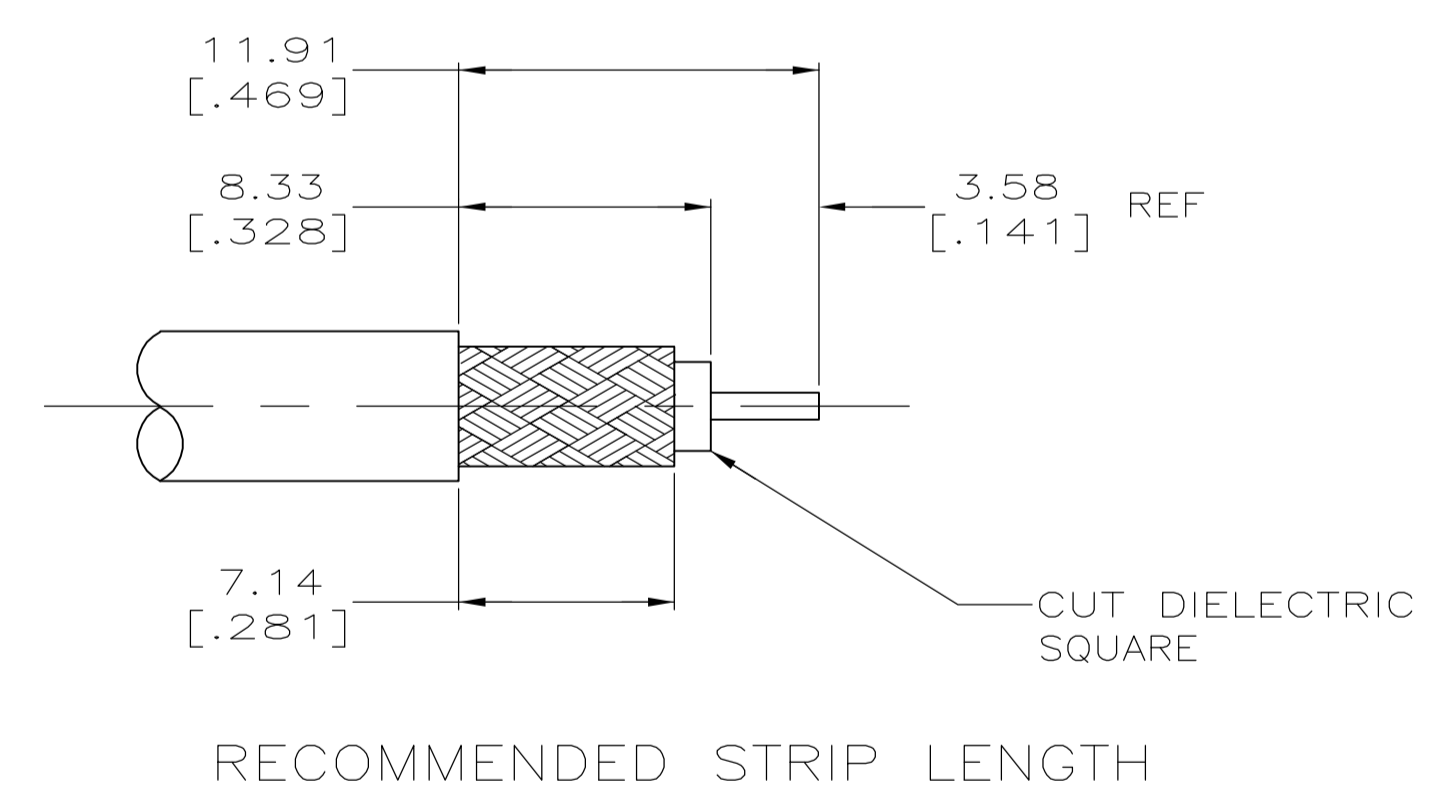


- 1. STEEL STAMP
- 2. PARTS PACKAGED UNASSEMBLED.
- 3. SEE INSTRUCTION SHEET NO. 408-2322.



	220061-1	RG-174/U,188A/U & 316/U	2-332004-0	1-22145-3	226315-1	9-50285-0	448180-3	225549-2	9-225608-0
OBSOLETE	59962-1	RG-316	2-332004-0	1-22145-3	226315-1	50285-5	225546-2	225549-2	1-225608-1
OBSOLETE	220061-1	RG-141/U,141A/U & 303/U	2-332004-0	1-22145-3	226315-1	225619-2	225546-1	225549-1	225608-9
	220061-1	RG-179B/U & 187A/U	2-332004-0	1-22145-3	226315-1	50285-7	225546-2	225549-3	225608-8
	220061-1	RG-174/U,188A/U & 316/U	2-332004-0	1-22145-3	226315-1	9-50285-0	448180-3	225549-2	225608-4
OBSOLETE	220061-1	RG-142/U,142A/U & 142B/U	2-332004-0	1-22145-3	226315-1	225618-3	225546-1	225549-1	225608-3
OBSOLETE	220061-1	RG-58A/U & 58C/U	2-332004-0	1-22145-3	226315-1	225619-2	225546-1	225549-1	225608-1
	HAND TOOL	CABLE SIZE	⑥ JAM NUT QTY=1	⑤ LOCKWASHER QTY=1	④ O-RING QTY=1	③ FERRULE QTY=1	② CONTACT QTY=1	① BULKHEAD JACK ASSY QTY=1	ASSY NO

THIS DRAWING IS A CONTROLLED DOCUMENT.

DIMENSIONS: MM [INCHES]	TOLERANCES UNLESS OTHERWISE SPECIFIED:	DIN S. J. MAGARO 9-15-89	Tyco Electronics Corporation Harrisburg, PA, 17105-3608
0 PLC ± -	1 PLC ± -	CHK R. E. RUTH 9/21/89	
2 PLC ± ± 0.41 [016]	3 PLC ± ± -	APP'D D. VERMEERSCH 9/27/89	NAME
4 PLC ± ± -	ANGLES ± ± -	PRODUCT SPEC	JACK, BULKHEAD, SERIES SMA
MATERIAL	FINISH	APPLICATION SPEC	SIZE CASE CODE DRAWING NO
		RESTRICTED TO	A1 00779 ©=225608
		WEIGHT	CUSTOMER DRAWING SCALE 4:1 SHEET 1 OF 1 REV R

